

AFL3-W10A-BT

Intel® Celeron® J1900 (Quad Core, 2.0 GHz)

AFL3-12A-BT

Intel® Celeron® J1900 (Quad Core, 2.0 GHz)



Features

- W10"~12" light industrial interactive panel PC
- 9 V ~ 30 V wide range DC input with lockable DC jack
- Selectable AT/ATX power mode
- Built-in speakers
- One mSATA slot
- IP64 compliant front panel
- IEI One Key Recovery solution allows you to create rapid OS backup and recovery (suggested with over 4GB storage capacity)



Specifications

Model		AFL3-W10A-BT	AFL3-12A-BT
LCD	Size	10.1"	12.1"
	Resolution	1280 x 800 (16:10)	1024 x 768 (4:3)
	Brightness (cd/m ²)	350	500
	Contrast Ratio	800:1	700:1
	LCD Color	16.2M	16.2M
	Pixel Pitch (mm)	0.1695 (H)×0.1695 (V)	0.240 (H) x 0.240 (V)
	Viewing Angle (H-V)	170° / 170°	160° / 160°
	Backlight MTBF(hrs)	15000 hrs	50000 hrs
Touch	Touch Screen	Projected capacitive type	5-wire resistive touch window/ projected capacitive type
	Touch Controller	EETI EXC3146	PenMount DMC9000/ EETI EXC3146
Motherboard	CPU	Intel® Celeron® J1900 (quad core, 2.0 GHz)	Intel® Celeron® J1900 (quad core, 2.0 GHz)
	RAM	One 204-pin 2 GB 1333MHz single-channel, 2GB DDR3L SDRAM pre-installed (system max. 8GB)	One 204-pin 2 GB 1333MHz single-channel, 2GB DDR3L SDRAM pre-installed (system max. 8GB)
	Ethernet	2 x PCIe GbE by RTL8111E controller	2 x PCIe GbE by RTL8111E controller
	Audio Codec	ALC892	ALC892
Storage		mSATA	mSATA 2.5" SATA 3Gb/s HDD bay
I/O Ports & Switch		1 x RS-232 COM port (RJ-45 connector) 1 x RS-232/422/485 COM port (DB-9 connector)(RI/5V/12V) 2 x USB 3.0 2 x USB 2.0 2 x RJ-45 for GbE LAN 1 x Power switch 1 x Audio port (line-out) 1 x Reset button 1 x AT/ATX switch 1 x 9-30V DC lockable power jack	1 x RS-232 COM port (RJ-45 connector) 1 x RS-232/422/485 COM port (DB-9 connector)(RI/5V/12V) 2 x USB 3.0 2 x USB 2.0 2 x RJ-45 for GbE LAN 1 x Power switch 1 x Audio port (line-out) 1 x Reset button 1 x AT/ATX switch 1 x 9-30V lockable power jack
E-Window Expansion		N/A	Yes, optional
Audio		AMP 2W + 2W (internal speaker)	AMP 3W + 3W (internal speaker)
Camera and Microphone		2-megapixel with low light function, digital microphone	
Wireless		IEEE 802.11a/b/g/n/ac (PCIe mini slot)	
OSD Function		Software OSD	
Physical	Front Panel Construction	PC + ABS Plastic	
	Mounting	Panel, Wall, Stand, Arm VESA 75mm x 75mm	Panel, Wall, Rack, Stand and Arm VESA 75mm x 75mm / 100mm x 100mm
	Color	Black C	
	Dimensions (WxHxD) (mm)	262 x 181 x 42	304 x 243 x 44
	Cut-out Dimensions (WxH) (mm)	236 x 149	243 x 205
	Net/Gross Weight (kgs)	1.06/2.58	1.92/3.95
Environment	Operating Temperature (°C) (Ambient with air flow)	-10°C~50°C	-20°C~50°C
	Storage Temperature (°C)	-20°C~60°C	-20°C~60°C
	Humidity	10% to 95% (non-condensing)	
	IP Level	IP 64 compliant front panel	
	Safety&EMC	CE / FCC	
Thermal Solution		Fanless	
Power	Power Requirement	9 V ~ 30 V	
	Power Consumption	12V@2.3A (Intel® J1900 CPU with 2GB 1333 MHz DDR3L memory)	12V@3.58A (Intel® J1900 CPU with 2GB 1333 MHz DDR3L memory)

Ordering Information

Part No.	Description
AFL3-W10A-BT-J1/PC/2G-R10	10.1" 350cd/m ² 1280 x 800 fanless panel PC with Intel® Celeron® J1900 quad core 2 GHz, 802.11a/b/g/n/ac, projected capacitive touch screen, 2GB DDR3L RAM, 2-megapixel camera, microphone, R10
AFL3-12A-BT-J1/PC/2G-R12	12.1"500 cd/m ² XGA fanless panel PC with Intel® Celeron® J1900 quad core 2 GHz, 802.11a/b/g/n/ac, projected capacitive touch screen, 2GB DDR3L RAM, 2-megapixel camera, microphone, R12
AFL3-12A-BT-J1/R/2G-R12	12.1" 500 cd/m ² XGA fanless panel PC with Intel® Celeron® J1900 quad core 2 GHz, 802.11a/b/g/n/ac, resistive touch screen, 2GB DDR3L RAM, 2-megapixel camera, microphone, R12

Options

Item	AFL3-W10A-BT	AFL3-12A-BT
Panel Mounting Kit	AFL3PK-08A-R10	AFL3PK-08A-R10
Wall Mounting Kit	AFLWK-12	AFLWK-19B
Rack Mounting Kit	AFL3RK-W10A-R10	AFL3RK-12A-R10
Arm	ARM-11-RS/ARM-31-RS	ARM-11-RS/ARM-31-RS
Stand	STAND-A12-RS/STAND-C12-R10/STAND-100-RS	STAND-A12-RS/STAND-C12-R10/STAND-100-RS
V-Stand	VSTAND-A10-R11	VSTAND-A12-R11
Magnetic Card Reader	AFL3P-W10MSR-U-R10	AFL3P-W10MSR-U-R10
Barcode Scanner	AFL3-2D-R10	AFL3-2D-R10
RFID Reader **(13.56 MHz Mifare Type) for ATO assembly	AFL3-MF-RFID-KIT02-R10	AFL3-MF-RFID-KIT02-R10*
*OS: Win 7 Embedded (64-bit)	AFL3-W07A-BT-WES7P64-R11** (for PCAP touch)	AFL3-W07A-BT-WES7P64-R11* (for PCAP touch) AFL3-W07A-BT-WES7E64-R11* (for Resistive touch)
OS: Win 8 Embedded (64-bit)		AFL3-W07A-BT-WE8S64-R10
*OS: Win 10 IOT Enterprise		AFL3-W07A-BT-W10E64-R10

**RFID support after AFL3-xxA-BT R11 version

*OS image with CD-ROM without storage

E-Window (for ATO assembly)

Part No.	Description	Supported Model
E-MPCIE-LAN-R10	PCIe mini card supports 1-port GbE with REALTEK RTL8111E controller, with PMS 194C I/O bracket and 250mm cable, R10	AFL3-12A-BT-J1/PC/2G-R12 AFL3-12A-BT-J1/R/2G-R12
E-MPCIE-DLAN-R10	PCIe mini card supports 2-port GbE with Intel I211 controller, with PMS 194C I/O bracket and 250mm cable, R10	
E-MPCIE-3G-R10	PCIe mini card supports 3G WWAN Module , with PMS 130C I/O bracket, 300mm RF antenna cable and GSM antenna cable, R10	

E-Window



E-Window
(for ATO assembly)

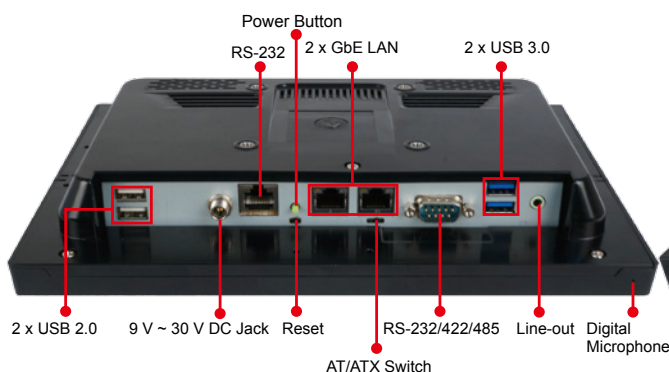
Packing List

Item	Part No.	Q'ty	Description
One Key Recovery DVD	7B000-001083-RS	1	
Round head machine screw	44003-020041-RS (12A-BT)	2	M2*4 round head machine screw
Pan head machine screw	44403-040061-RS	4	M4*6 pan head machine screw
Fix holder	46003-009500-RS	2	
Power cord	32702-000200-100-RS	1	
Power adapter	63040-010036-121-RS (AFL3-W10A-BT) 63040-010060-120-RS (AFL3-12A-BT)	1	36W; Vin: 90V~264V AC; Vout: 12VDC 60W; Vin: 90V~264V AC; Vout: 12VDC
Driver CD		1	
RJ-45 to DB-9 COM port transfer cable	32005-000200-200-RS	1	300mm, 26AWG, (A) D-SUB 9 male, (B) RJ-45
Touch pen	43125-0002C0-00-RS	1	Resistive touch screen only

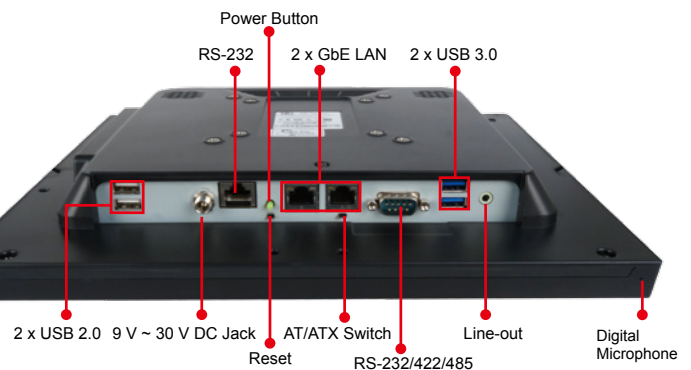


AFL3-12A
RFID

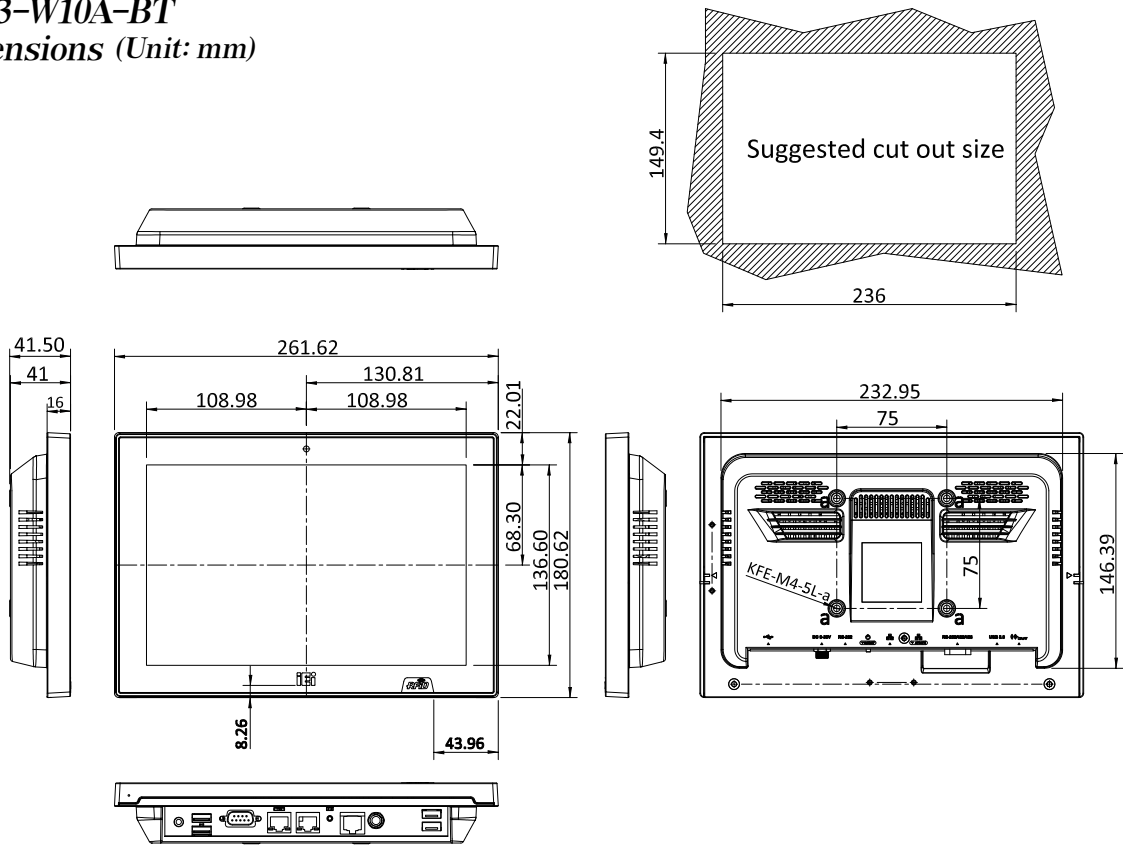
AFL3-W10A Fully Integrated I/O



AFL3-12A Fully Integrated I/O



AFL3-W10A-BT
Dimensions (Unit: mm)



AFL3-12A-BT
Dimensions (Unit: mm)

