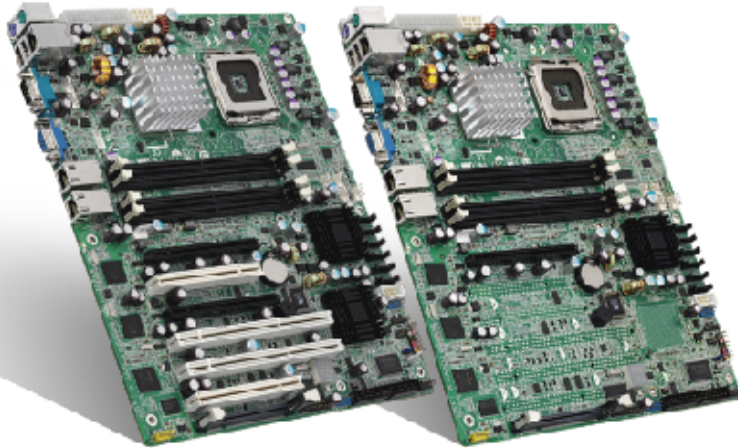


Next Generation UP Server Platform



Toledo i3210W /
Toledo i3200R

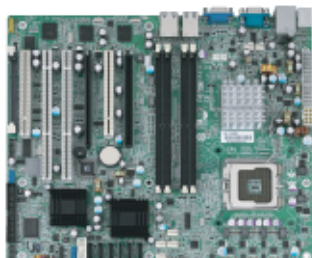
S5211G2NR / S5211G2NR-1U



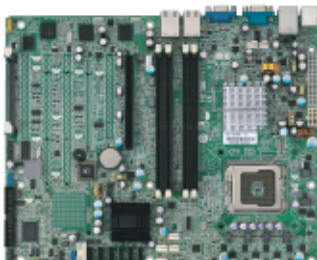
Intel® Xeon® Processors Compact Server Platforms

- Multi-Core Intel® Xeon® Processor 3300,3200,3100 and 3000 series
 - Intel® Core™ 2 Quad desktop processors
 - Intel® Core™ 2 Duo desktop processors
- LGA775 CPU (1333/1066/800 FSB) supported
- Intel® 3210 (S5211G2NR) chipset
- Intel® 3200 (S5211G2NR-1U) chipset
- Up to 8GB of DDR2-667/800 unbuffered memory
- (2) GbE LAN ports
- (2) PCI slot (for S5211G2NR only)
- (2) PCI-X slot (for S5211G2NR only)
- (2) PCI Express x16 slots (w/ x8 bus) (one PCI-E slot for S5211G2NR-1U)
 - (If a PCI Express x16 VGA adapter is instered into PCI Express slots, the VGA card will only work at PCI Express x1 speed; this is a chipset limitation)

▼TOP View

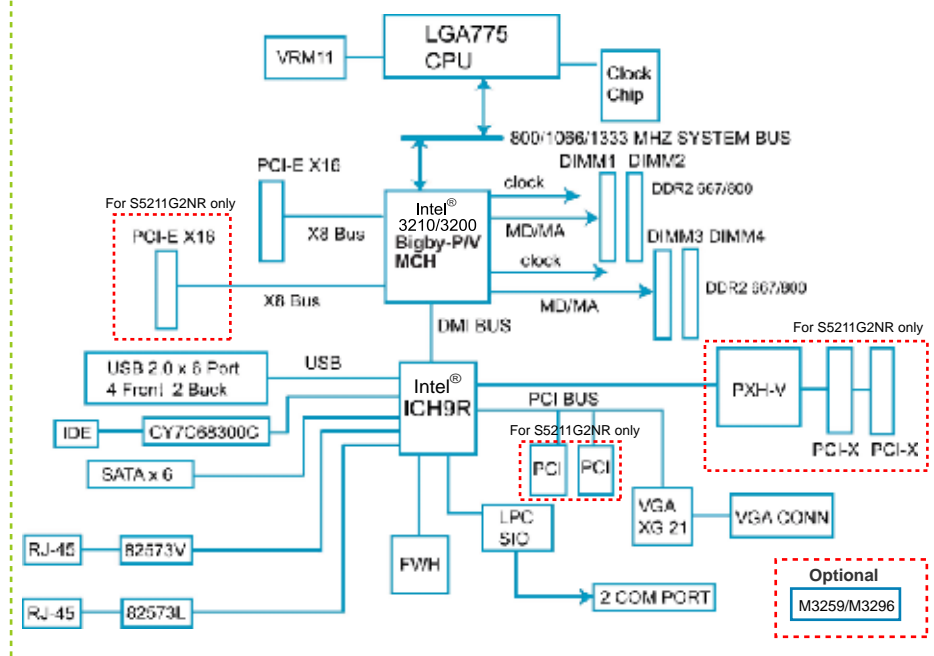


S5211G2NR



S5211G2NR-1U

Block Diagram



S P E C I F I C A T I O N S

Processors

- . Single LGA775 socket
- . Supports Multi-Core Intel® Xeon® Processor 3300, 3200, 3100 and 3000 series
- . Intel® Core™ 2 Quad desktop processors
- . Intel® Core™ 2 Duo desktop processors
- . 1333/1066/800 FSB supported

Expansion Slots

- . S5211
 - Two (2) PCIe x 16 slots (w/ x8 bus)
(If a PCI Express x16 VGA adapter is inserted into PCI Express slots, the VGA card will only work at PCI Express x1 speed; this is a chipset limitation)
 - Two PCI-X 1.0 64/133 slots
 - Two 32/33 PCI 2.3 slots
- . S5211-1U
 - One (1) PCIe x16 slots (w/ x8 bus)
(If a PCI Express x16 VGA adapter is inserted into this slot, the VGA card will only work at PCI Express x1 speed; this is a chipset limitation.)

Chipset

- . Intel® 3210 (S5211) or Intel® 3200 (S5211-1U) MCH
- . ICH9R South Bridge
- . PXH-V 64-bit PCI Hub (S5211)
- . SMSC SCH5027 Super I/O chip
- . EZ-USB AT2 (CY7C68300C) Ultra ATAcontroller

System Management

- . SMSC SCH5027 and EMC6D103 w/ hardware monitoring
- . One (1) 4-pin CPU fan headers with tachometer monitoring and smart FAN control (by SCH5027)
- . Five (5) 4 -pin system fan headers with tachometer monitoring, three (3) of them support smart FAN control
- . Temperature and voltage monitoring
- . Watchdog timer support
- . Port 80 code display LED

Memory

- . Four 240-pin DDR2 DIMM sockets
- . Supports Un-buffered ECC non-ECC DIMMs
- . Maximum of 8GB DDR2-667/800

Integrated USB IDE (CY7C68300C)

- . Signal Ultra ATA Channels for Signal ATA devices

Integrated Serial ATA II (ICH9R)

- . Supports six SATA II ports running at 3.0Gb/s
- . RAID 0/1/5/10 capable

Back Panel I/O Ports

- . Stacked PS/2 Mouse & Keyboard ports
- . Stacked 2 USB ports and RJ45 port for IPMI
- . One 9-pin COM port
- . One 15-pin VGA port
- . Two side-by-side RJ45 ports

Integrated I/O Interfaces

- . 1 (1) IDE connector
- . Six (6) SATA (3Gb/s) ports
- . Six (6) USB 2.0 ports (2 at rear, 4 via cable)
- . Two COM port (1 at rear, 1 via cable)
- . Tyan 2 x 9 front-panel pin header
- . Tyan 2 x 6 front-panel pin header for LAN LED and ID LED/Switch
- . 2 x 7 pin Fan header
- . 2 x 3 pin LCM header
- . 200 pin vertical SO-DIMM for optional Tyan IPMI SMDC

Integrated PCI Graphics

- . XGI Z9S
- . 32MB DDR2 frame buffer memory

Integrated LAN controllers

- . Two (2) Intel® i82573 GbE NICs (1*82573V + 1*82573L)
- . Operating at independent PCIe x1 interface

Optional modules

- . M3295, IPMI 2.0 Remote System Mgmt card
- . Renesas H8S2167 BMC controller
 - BT, KCS, Logging support
 - IPMI-over-LAN
 - Remote power on/off and reset
- . M3296, IPMI 2.0 Remote System Mgmt card
 - KIRA100 (Single Chip KVM/IP + IPMI processor)
 - 32 MB SDRAM, 8 MB Flash, 8 MB Video RAM
 - Video output over LAN (1280x1024)
 - USB 2.0 High Speed Interface
 - LPC, GPIO, SMBUS
 - 10/100 Mbps Ethernet Interface for direct RJ45 connection

BIOS

- . PHOENIX BIOS® on 8Mbit LPC Flash ROM
- . Serial Console Redirect
- . USB boot supported
- . Supports ACPI
- . PnP, DMI2.0, WfM2.0 power Management
- . S0/S1/S4/S5 states supported

Power

- . ATX12V
- . Universal 24-pin + 8-pin power connectors

Form Factor

- . ATX footprint
- . 12" x 9.6" (305mm x 244mm)

Regulatory

- . FCC Class B (DoC)
- . European Community CE (DoC)
- . BSMI