

# FUDA2 Multi-Touch Panel PC Series

Slim and Fan-less Projective Capacitive Touch Panel PC with Wide Temperature and Panel Mount Support Powered by Intel® Bay Trail Quad-core Processor

In IPC market, a robust and highly reliable Panel PC system is a must to ensure non-stop and stable operation on production line. By enhancing performance and power efficiency, FUDA2 Series is an ideal HMI solution for factory automation, CNC machine and food and beverage industry.



## Product Introduction

Powered by Intel® Atom™ platform, Bay Trail-I SoC processor E3845, which provides extended temperature and high I/O connectivity within 10W thermal design power (TDP), FUDA2 Panel PC is an ideal platform for applications like highly efficient and dedicated image signal processing with secure content delivery and visually appealing HMI thin clients. Equipped with a high resolution panel and a sleek, responsive, multi-touch screen, FUDA2 Multi-Touch Panel PC comes with an IP65 rated front bezel and true-flat design. This allows the system to be operated in harsh environment. With its refined appearance, rugged mechanical chassis and multiple modular flexibility, FUDA2 Panel PC's application-oriented design provides customers an ideal HMI solution for factory automation applications.

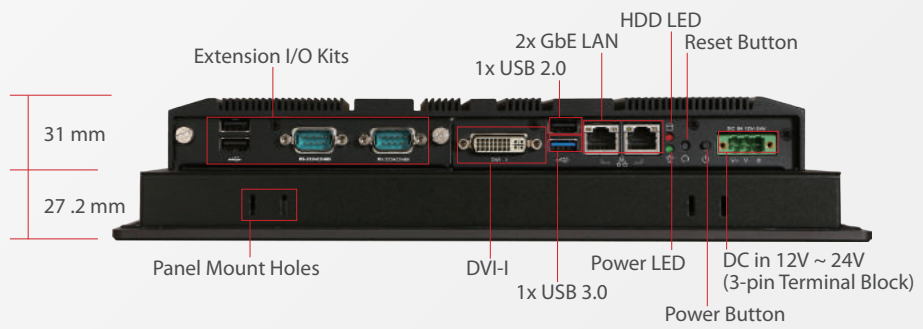
## Wide Operating Temperature Support with Fan-less Design

FUDA2 Panel PC takes advantage of Intel® Atom™ E3800 family to operate under extremely hot and cold conditions. Compared to most Panel PC in the market, the operating temperature of FUDA2 Panel PC can be as low as -25°C or up to 70°C in spite of its fan-less design. Moreover, the cable-less structure optimizes the thermal dissipation as well as makes it more durable in rugged environments.



## Flexible I/O for Industrial Environment

FUDA2 Panel PC features all required interfaces for industrial application: 12V ~ 24V DC input, dual LAN, multiple USB ports and RS-232/422/485 selectable in BIOS with auto-flow function. Different I/O extension kits can be chosen to serve different market demands.



\* The picture of FUDA2-S1221

## I/O Options

### FUDA2 - S1021

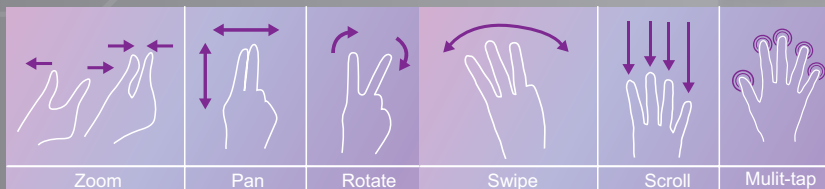
- 2 x RS-232 / 422 / 485 (Option 0)
- 1 x Line-out (Option 1)
- 1 x RS-232 / 422 / 485 (Option 1)
- 2 x USB 2.0, 1 x Line-out (Option 2)

### FUDA2 -S12/15/17/1921 & FUDA2-S1820

- 2 x USB 2.0 (Option 0)
- 2 x RS-232 / 422 / 485 (Option 0)
- 1 x RS-232 (Option 1)
- 2 x RS-232 / 422 / 485 (Option 1)
- 2 x USB 2.0, 1 x Line-out (Option 2)
- 1 x RS-232 / 422 / 485 (Option 2)

## Projective Capacitive Touch Panel PC Becomes Popular in Factory Automation Application

Thanks to its robustness and easy operation, Panel PC with projective capacitive touch screen becomes a popular solution in the factory automation industry. With the latest touch screen technology, FUDA2 Multi-Touch Panel PC Series is responsive even when thick industrial gloves are worn and supports palm rejection. Moisture, contaminant, and cutting oil are common in an industrial environment, so it is important these materials don't cause any false actions to the machine. Last but not least, its excellent noise immunity makes it suitable in industrial application.



## An Ideal HMI for Industrial Market

FUDA2 Multi-Touch Panel PC targets to apply in industrial environment. Designed to comply with UL 61010-2-201, which specifically addresses safety requirements and related verification tests for industrial control equipment, as well as the EMC directives for both industrial environment and information technology equipment like EN 55022, EN 55024, EN 61000-6-2, EN 61000-6-4, FUDA2 Multi-Touch Panel PC has proved itself an ideal HMI for industrial market by not only passing a variety of thorough and rigorous testing but also being verified by independent certified lab agent.



## Ordering Guide

AL6-3222	(R).ATO. FUDA2-S1021-0000-00.10.4" Intel Bay Trail E3845 Projective Capacitive Touch Panel PC
AL6-3226	(R).ATO. FUDA2-S1221-0000-00.12.1" Intel Bay Trail E3845 Projective Capacitive Touch Panel PC
AL6-3227	(R).ATO. FUDA2-S1521-0000-00.15" Intel Bay Trail E3845 Projective Capacitive Touch Panel PC
AL6-3223	(R).ATO. FUDA2-S1721-0000-00.17" Intel Bay Trail E3845 Projective Capacitive Touch Panel PC
AL6-3209	(R).ATO. FUDA2-S1921-0000-00.19" Intel Bay Trail E3845 Projective Capacitive Touch Panel PC
AL6-3200	(R).ATO. FUDA2-S1820-0000-02.18.5" Intel Bay Trail E3845 Projective Capacitive Touch Panel PC

## Product Features

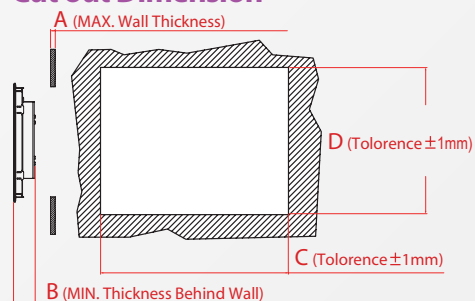


# Quick Selection Guide

FUDA2 Multi-Touch 10.4" / 12.1" / 15" / 17" / 19" / 18.5"

Model Name	FUDA2-S1021	FUDA2-S1221	FUDA2-S1521	FUDA2-S1721	FUDA2-S1921	FUDA2-S1820
<b>Display</b>						
LCD Size	10.4"	12.1"	15"	17"	19"	18.5" (16:9)
Resolution	XGA 1024 x 768	XGA 1024 x 768	XGA 1024 x 768	SXGA 1280 x 1024	SXGA 1280 x 1024	1366 x 768
Brightness	450 cd/m <sup>2</sup>	600 cd/m <sup>2</sup>	450 cd/m <sup>2</sup>	350 cd/m <sup>2</sup>	350 cd/m <sup>2</sup>	350 cd/m <sup>2</sup>
Contrast Ratio	3000:1	700:1	700:1	1000:1	1000:1	1000:1
Backlight	LED type	LED type	LED type	LED type	LED type	LED type
Touch Screen	Projected Capacitive Multi-Touch (10 points)					(2 points)
<b>System</b>						
SoC	Intel® Atom™ Quad-core E3845 (1.91 GHz)					
Memory	DDR3L 1333/1600 SO-DIMM up to 8GB					
BIOS	AMI					
Graphics	Intel® Gen 7 Graphics					
LVDS	Single/Dual Channel 24-bit					
LAN Chipset	Dual Intel® 1210IT Gigabit Ethernet (Support Jumbo Frame)					
Audio	Realtek® High Definition Audio Codec					
Watchdog Timer	Programmable 1 ~ 255 sec					
Storage Device	1 x 2.5" SATA HDD/ SSD, 1 x Compact Flash II up to 64GB, 1 x SD card					
OS	Windows 7/ Windows 8.1/ Windows 10/ Linux™					
<b>I/O Interface</b>						
Series Port	2 x RS-232/422/485 (Expansion: Option 0)					
Display	1x DVI-H					
USB	1 x USB 2.0, 1 x USB 3.0, 2 x USB 2.0 (Expansion: Option 0)					
Ethernet	2 x Gigabit Ethernet					
Others	1 x SMA Antenna hole for WIFI/3G Solution					
Expansion	1 x Half mPCIe socket 1 x RS-232/422/485, 1 x Line-out (Option 1) 1 x Line-out, 2 x USB 2.0 (Option 2)		1 x Half-size Mini-PCIe socket 2 x RS-232/422/485, 1 x RS-232 (Expansion: option 1) 1 x RS-232/422/485, 1 x Line-out, 2 x USB 2.0 (Expansion: option 2)			
<b>Mechanical</b>						
Dimension(mm)(WxDxH)	282 x 238 x 57.3 mm	305 x 260 x 58.2 mm	384 x 310 x 56.6 mm	437 x 375 x 63.2 mm	480 x 400 x 60.4 mm	467 x 293 x 63.4 mm
Mounting (mm)	VESA Mount 75 x 75, 100 x 100; Panel Mount					
Weight (Kg)(N)	3.5 Kg	3.9 Kg	5.1 Kg	6.5 Kg	7.6 Kg	7 Kg
Weight (Kg)(G)	5.8 Kg	6 Kg	7.8 Kg	9.8 Kg	11.5 Kg	10.3 Kg
<b>Power</b>						
Power Supply	DC 12V ~ 24V input with 3-pin terminal block connector					
Consumption (Max)	41W(12V); 40W(24V)	34W(12V); 34W(24V)	39W(12V); 38W(24V)	47W(12V); 46W(24V)	40W(12V); 42W(24V)	43W(12V); 45W(24V)
Consumption (Min)	15W(12V); 16W(24V)	13W(12V); 14W(24V)	16W(12V); 17W(24V)	14W(12V); 15W(24V)	20W(12V); 21W(24V)	23W(12V); 23W(24V)
<b>Environmental</b>						
OP /Storage Temp	-25°C ~ 70°C / -40°C ~ 85°C (20 ~ 90% non-condensing)					0°C ~ 50°C / -20°C ~ 60°C
Vibration	1.0G(SD/CF/SSD) and 0.5G(HDD) , Power on & 2.16G, Packaged; 5~500Hz, IEC 60068-2-6					
Shock	15G peak acceleration, 11 ms (Power on condition), IEC 60068-2-27					
Drop	Packaged with Carton 96.5cm (1-Corner, 3-Axis, 6-Face), ISTA 2A Standard					
IP Protection	IP65 (Front) / IP20 (Rear), IEC 60529 Edition 2.1 Standard					
Certificate	UL/CE/FCC Class A					

## Cut out Dimension



## FUDA2 Multi-Touch

	A (mm)	B (mm)	C (mm)	D (mm)	Mounting Kits (pcs)
FUDA2-S1021	<10	52.5	265	222	X 8
FUDA2-S1221	<10	52.4	289	244	X 8
FUDA2-S1521	<7	50.6	367	293	X 14
FUDA2-S1721	<8	57.4	420	358	X 16
FUDA2-S1921	<7.8	52.6	463	383	X 20
FUDA2-S1820	< 10.7	58.1	452	277	X 16