

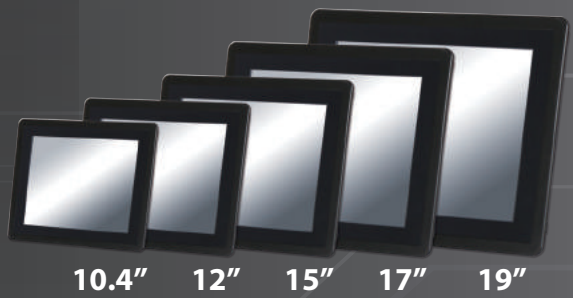
JAVI Touch Panel PC Series

Highly Flexible and Rugged Fan-less Touch Panel PC with Wide Temperature Support
Powered by Intel® Bay Trail Quad-core Processor

Speaking of HMI in factory automation application, system reliability, stability and longevity are the three chief considerations without a doubt. JAVI Series is designed, in order to ensure safe and non-stop operation in the field.

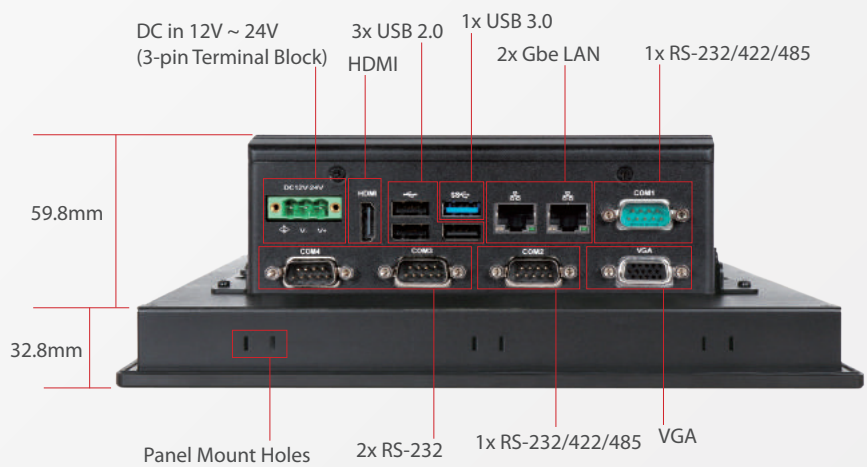
Product Introduction

Powered by Intel® Atom™ platform, Bay Trail-I SoC processor E3845, which provides extended temperature and high I/O connectivity within 10W thermal design power (TDP), JAVI Panel PC is an ideal platform for applications like highly efficient and dedicated image signal processing with secure content delivery and visually appealing HMI thin clients. Featuring brand new modularization and expansion design, JAVI Panel PC makes a new type of industrial Panel PC. This technology enables customers to change display size, upgrade processing power, enhance I/O connectivity and increase system functionality via various add-on modules. With these special hardware structure, JAVI Panel PC's high flexibility and expandability can catch customers' eye at the first sight.



Modularized Design of Display and System

JAVI Panel PC comprises two parts: the interdependent "touch panel display" and "embedded system" can be configured by request via only one cable connection. It's also very friendly when it comes to hardware maintenance, display exchange or system upgrade. Last but not least, the "embedded system" can operate independently, making it even more flexible in the field.



Modularization Concept of JAVI Series



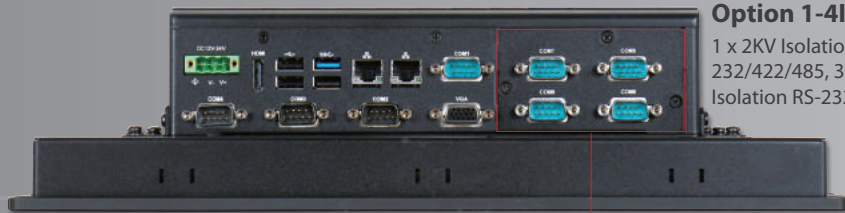
* The picture of JAVI-S1230

Wide Operating Temperature Support with Fan-less Design

JAVI Panel PC takes advantage of Intel® Atom™ E3800 family to operate under extremely hot and cold conditions. Compared to most Panel PC in the market, the operating temperature of JAVI Panel PC can be as low as -25°C or up to 70°C in spite of its fan-less design.

Highly Flexible I/O and Expandable Capabilities

It's always a good strategy to keep the system as flexible as possible to serve customers from different applications. As a result, JAVI Panel PC features impressive combination of modern and legacy I/O connectivity; also, additional interfaces like isolated COM or audio function can be expanded via proprietary expansion slot and six extension I/O kits. Except hardware focus, industrial protocols are also made available with JAVI Panel PC's highly flexible and expandable design.



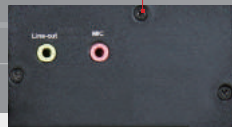
Option 1-4IC

1 x 2KV Isolation RS-232/422/485, 3 x 2KV Isolation RS-232



Option 2 -2IC4U

1 x 2KV Isolation RS-232/422/485, 1 X 2KV Isolation RS-232, 4 x USB2.0



Option 3 -A

1 x Line-out, 1 x MIC, 1 x Full-size mPCIe with SIM holder



Option 4 -ACAN

1 x Line-out, 1 x MIC, 2 x CAN 2.0B



Option 5 -AIE

1 x Line-out, 1 x MIC, 2 x EtherCAT



Option 6 -API

1 x Line-out, 1 x MIC, 2 x Profinet

EtherCAT

Ordering Guide

AL6-3218	(R).ATOJAVI-S1030-E3845-00. 10.4" F5WR Touch & Intel Bay Trail Atom E3845 Panel PC	AL6-3216	(R).ATOJAVI-S1930-E3845-00. 19" Flat 5WR Touch & Intel Bay Trail Atom E3845 Panel PC
AL6-3219	(R).ATOJAVI-S1230-E3845-00. 12.1" F5WR Touch & Intel Bay Trail Atom E3845 Panel PC	AL6-3215	(R).ATOJAVI-S1531-E3845-00. 15" F5WR Touch & Intel Bay Trail Atom E3845 Panel PC
AL6-3217	(R).ATOJAVI-S1530-E3845-00. 15" Flat 5WR Touch & Intel Bay Trail Atom E3845 Panel PC	AL6-3213	(R).ATOJAVI-S1731-E3845-00. 17" Flat 5WR Touch & Intel Bay Trail Atom E3845 Panel PC
AL6-3220	(R).ATOJAVI-S1730-E3845-00. 17" F5WR Touch & Intel Bay Trail Atom E3845 Panel PC	AL6-3214	(R).ATOJAVI-S1931-E3845-00. 19" F5WR Touch & Intel Bay Trail Atom E3845 Panel PC

Product Features

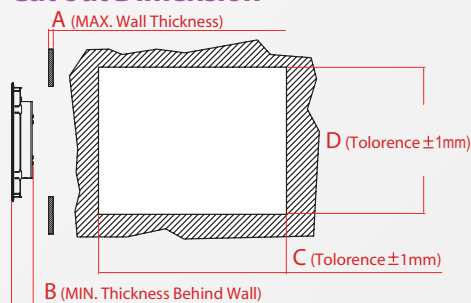


Quick Selection Guide

JAVI-S1X30 10.4" / 12.1" / 15" / 17" / 19"

Model Name	JAVI-S1030	JAVI-S1230	JAVI-S1530	JAVI-S1730	JAVI-S1930
Display					
LCD Size	10.4"	12.1"	15"	17"	19"
Resolution	XGA 1024 x 768	XGA 1024 x 768	XGA 1024 x 768	SXGA 1280 x 1024	SXGA 1280 x 1024
Brightness	450 cd/m ²	500 cd/m ²	450 cd/m ²	350 cd/m ²	350 cd/m ²
Contrast Ratio	3000:1	700:1	700:1	1000:1	1000:1
Backlight	LED type	LED type	LED type	LED type	LED type
Touch Screen	True Flat 5-Wire Resistive Single Touch (Projective Capacitive Multi-Touch by Project)				
System					
SoC	Intel® Atom™ Quad-core E3845 (1.91 GHz)				
Memory	DDR3L 1333/1600 SO-DIMM up to 8GB				
BIOS	AMI				
Graphics	Intel® Gen 7 Graphics				
LVDS	Single/Dual Channel 24-bit				
LAN Chipset	Dual Intel® 1210IT Gigabit Ethernet (Support Jumbo Frame)				
Audio	N/A				
Watchdog Timer	Programmable 1 ~ 255 sec				
Storage Device	1 x 2.5" SATA HDD/ SSD, 1 x Half-size mSATA device				
OS	Windows 7/ Windows 8.1/ Windows 10/ Linux™				
I/O Interface					
Series Port	2 x RS-232/422/485, 2 x RS-232				
Display	1 x VGA, 1 x HDMI				
USB	1 x USB 3.0, 3 x USB 2.0				
Ethernet	2 x Gigabit Ethernet				
Others	1 x Programmable 8-bit Digital I/O, 2 x SMA Antenna hole for WiFi, 3G/GPS or 4G LTE Solution				
Expansion	1 x Full-size Mini-PCIe socket				
Mechanical					
Dimension(mm)(WxDxH)	276 x 221 x 92.0 mm	328 x 261 x 95.0 mm	368 x 292 x 91.3 mm	417 x 353 x 99.5 mm	451 x 374 x 97.8 mm
Mounting	VESA Mount 100 x 100; Panel Mount				
Weight (Kg)(N)	3.1 Kg	4.1 Kg	4.6 Kg	7.4 Kg	8.5 Kg
Weight (Kg)(G)	4.9 Kg	5.9 Kg	6.7 Kg	8.9 Kg	9.7 Kg
Power					
Power Supply	DC 12V ~ 24V input with 3-pin terminal block connector				
Consumption (Max)	32.8W (12V);34.6W (24V)	32.8W (12V);34.6W (24V)	34.3W (12V); 34.0W (24V)	34.1W (12V);35.5W (24V)	36.2W (12V);33.8W (24V)
Consumption (Min)	15.4W (12V);17.6W (24V)	15.5W (12V);18.1W (24V)	16.2W (12V);17.0W (24V)	16.1W (12V);17.6W (24V)	16.3W (12V);19.0W (24V)
Environmental					
OP /Storage Temp	-25°C ~ 70°C / -40°C ~ 85°C (20 ~ 90% non-condensing)				
Vibration	1.0G(SSD) and 0.5G(HDD) , Power on & 2.16G, Packaged; 5~500Hz, IEC 60068-2-6				
Shock	15G peak acceleration, 11 ms (Power on condition), IEC 60068-2-27				
Drop	Packaged with Carton 96.5cm (1-Corner, 3-Axis, 6-Face), ISTA 2A Standard				
IP Protection	IP65 (Front) / IP20 (Rear), IEC 60529 Edition 2.1 Standard				
Certificate	CE/FCC Class A				

Cut out Dimension



JAVI-S1X30

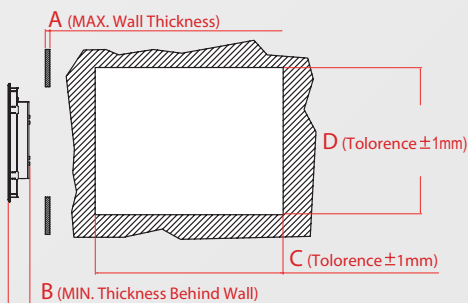
	A (mm)	B (mm)	C (mm)	D (mm)	Mounting Kits (pcs)
JAVI-S1030	< 8.5	86	253	198	x8
JAVI-S1230	< 8.5	89	313	246	x10
JAVI-S1530	< 8.5	85.3	352	277	x10
JAVI-S1730	< 8.5	91.8	394	329	x16
JAVI-S1930	< 8.5	89.9	435	358	x18

Quick Selection Guide

JAVI-S1X31 15" / 17" / 19"

Model Name	JAVI-S1531	JAVI-S1731	JAVI-S1931
Display			
LCD Size	15"	17"	19"
Resolution	XGA 1024 x 768	SXGA 1280 x 1024	SXGA 1280 x 1024
Brightness	450 cd/m ²	350 cd/m ²	350 cd/m ²
Contrast Ratio	700:1	1000:1	1000:1
Backlight	LED type	LED type	LED type
Touch Screen	True Flat 5-Wire Resistive Single Touch (Projective Capacitive Multi-Touch by Project)		
System			
SoC	Intel® Atom™ Quad-core E3845 (1.91 GHz)		
Memory	DDR3L 1333/1600 SO-DIMM up to 8GB		
BIOS	AMI		
Graphics	Intel® Gen 7 Graphics		
LVDS	Single/Dual Channel 24-bit		
LAN Chipset	Dual Intel® 1210IT Gigabit Ethernet (Support Jumbo Frame)		
Audio	Realtek® High Definition Audio Codec (Optional 3,4,5,6)		
Watchdog Timer	Programmable 1 ~ 255 sec		
Storage Device	1 x 2.5" SATA HDD/ SSD, 1 x Half-size mSATA device		
OS	Windows 7/ Windows 8.1/ Windows 10/ Linux™		
I/O Interface			
Series Port	2 x RS-232/422/485, 2 x RS-232		
Display	1 x VGA, 1 x HDMI		
USB	1 x USB 3.0, 3 x USB 2.0		
Ethernet	2 x Gigabit Ethernet		
Others	1 x Programmable 8-bit Digital I/O, 3 x SMA Antenna hole for WiFi, 3G/GPS or 4G LTE Solution		
Expansion	1 x Full-size Mini-PCIe socket (Option 1) 1 x 2KV Isolation RS-232/422/485, 3 x 2KV Isolation RS-232 (Option 4) 1 x Line-out, 1 x MIC, 2 x CAN 2.0B (Option 2) 1 x 2KV Isolation RS-232/422/485, 1 x 2KV Isolation RS-232, 4 x USB 2.0 (Option 5) 1 x Line-out, 1 x MIC, 2 x EtherCAT (Option 3) 1 x Line-out, 1 x MIC, 1 x Full-size mPCIe socket with SIM Holder (Option 6) 1 x Line-out, 1 x MIC, 2 x Profinet		
Mechanical			
Dimesion(mm)(WxDxH)	368 x 292 x 91.3 mm	417 x 353 x 99.5 mm	451 x 374 x 97.8 mm
Mounting	VESA Mount 100 x 100; Panel Mount		
Weight (Kg)(N)	5.3 Kg	8.1 Kg	9.2 Kg
Weight (Kg)(G)	10.4 Kg	11 Kg	11.7 Kg
Power			
Power Supply	DC 12V ~ 24V input with 3-pin terminal block connector		
Consumption (Max)	45.1W (12V);48.1W (24V)	53.2W (12V);49.2W (24V)	48.5W (12V);49.3W (24V)
Consumption (Min)	16.3W (12V);19.3W (24V)	23.9W (12V);23.5W (24V)	22.9W (12V);23.7W (24V)
Environmental			
OP /Storage Temp	-25°C ~ 70°C / -40°C ~ 85°C (20 ~ 90% non-condensing)		
Vibration	1.0G(SSD) and 0.5G(HDD) , Power on & 2.16G, Packaged; 5~500Hz, IEC 60068-2-6		
Shock	15G peak acceleration, 11 ms (Power on condition), IEC 60068-2-27		
Drop	Packaged with Carton 96.5cm (1-Corner, 3-Axis, 6-Face), ISTA 2A Standard		
IP Protection	IP65 (Front) / IP20 (Rear), IEC 60529 Edition 2.1 Standard		
Certificate	CE/FCC Class A		

Cut out Dimension



JAVI-S1X31

	A (mm)	B (mm)	C (mm)	D (mm)	Mounting Kits (pcs)
JAVI-S1531	< 8.5	85.3	352	277	x10
JAVI-S1731	< 8.5	91.8	394	329	x16
JAVI-S1931	< 8.5	89.9	435	358	x18