

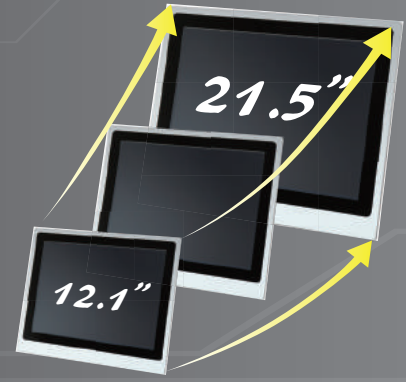
PEDA Touch Panel PC Series



Modularized Fan-less Panel PC with High Performance and Low Power Consumption
Powered by Intel® Haswell ULT SoC Processor

In industrial PC markets, systems can be applied in versatile applications so it's always a good strategy to keep high flexibility and expandability, and that's what PEDA Series focuses on.

Product Introduction

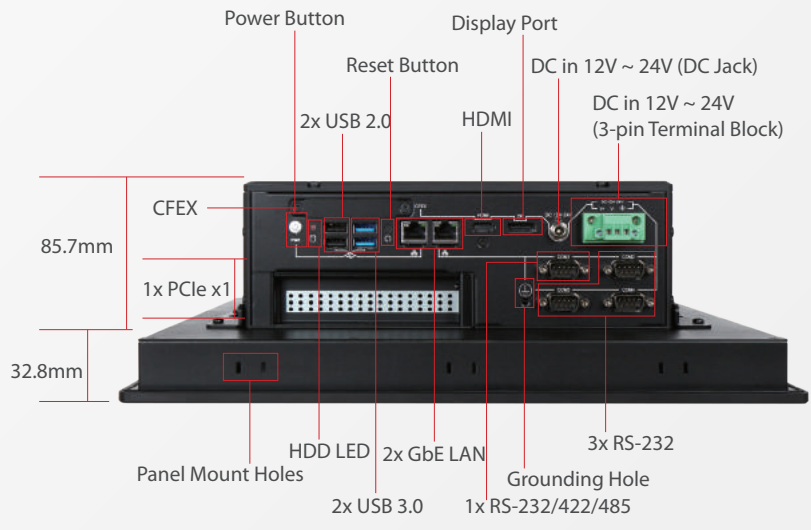
PEDA Panel PC sets a new standard in HMI solutions. Remarkable advance and brand new features of this incredible system makes it powerful for most industrial application markets. By adopting the 4th generation Intel® Core™ processor with TDP as low as 15W, PEDA Panel PC is able to provide great computing ability while remain low power consumption as well as value-optimized pricing. Perfect thermal dissipation and a truly rugged chassis with an IP65 aluminum bezel allows the system to operate in harsh industrial environments; also, thanks to plentiful expansion modules and I/O interfaces, it can be used for a variety of purposes. In conclusion, PEDA Panel PC is a well-integrated and flexible system working reliably even in extreme conditions, making it an ideal platform for machine control system, factory automation, indoor/outdoor vending machine, etc.



New! 1-Chip BGA Solution	Traditional 2-Chip platform
 <ul style="list-style-type: none"> • CPU and PCH Integrated into single BGA package • 15W & 28W TDPs, 6W and below SDP • Supports LPDDR3 and DDR3L memory 	 <ul style="list-style-type: none"> • 2 chip scalable solution: CPU and chipset • BGA and rPGA packages • 57W, 47W, and 37W TDPs • Supports DDR3L Memory • GT3e graphics

Panel PC with Intel® ULT SoC Processor

The 4th generation Intel® Core™ processor features ultra-low TDP (thermal design power) and new technology to deliver a single SoC (system on chip) solution. By utilizing this latest technology, the fan-less PEDA Panel PC can optimize thermal dissipation as well as simplify the mechanics of board and chassis to achieve an extremely reliable and stable system. Also, the system can be designed to be very small and compact.



* The picture of PEDA-S1530



Modularization Concept of PEDA Series

Unique Embedded System and Touch Panel Screen Design

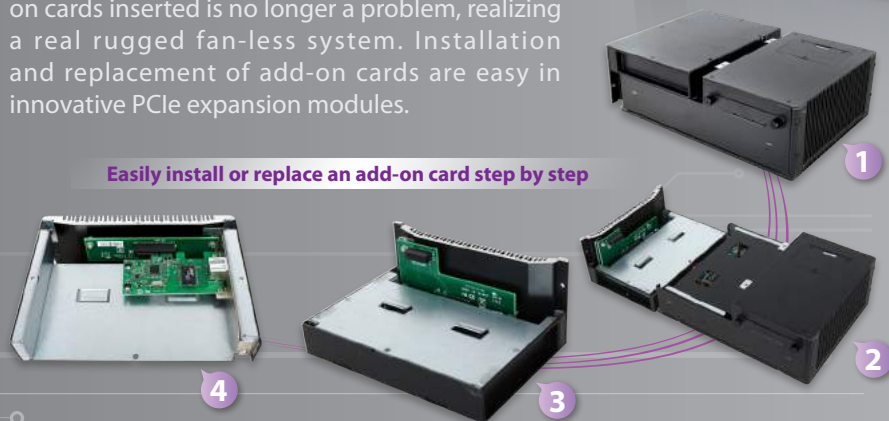
Modularization is the core design concept for PEDAs Panel PC, which could be disassembled to an independent “embedded system” and a “touch panel display”. As a result, users can choose different sizes of panel from 12.1” to 21.5” to integrate with the same “embedded system” by one single cable.

Add-on Card Expansion Module

To enhance the flexibility, expansion modules for supplementary add-on cards are options for PEDAs Panel PC. With Portwell’s patent design of creative expansion cassettes, overheat after add-on cards inserted is no longer a problem, realizing a real rugged fan-less system. Installation and replacement of add-on cards are easy in innovative PCIe expansion modules.



Easily install or replace an add-on card step by step



Removable HDD tray and CFEX cover for easy installation and maintenance.

Ordering Guide

AL6-3177	(R).ATO.PEDA-S1230-4300-00. 12.1" Flat 5WR Touch & Haswell-ULT Core™ i5-4300U Panel PC with 1 x PCIe x 1 expansion slot
AL6-3167	(R).ATO.PEDA-S1530-4300-00.15" Flat 5WR Touch & Haswell-ULT Core™ i5-4300U Panel PC with 1 x PCIe x 1 expansion slot
AL6-3183	(R).ATO.PEDA-S1730-4300-00. 17" Flat 5WR Touch & Haswell-ULT Core™ i5-4300U Panel PC with 1 x PCIe x 1 expansion slot
AL6-3181	(R).ATO.PEDA-S1930-4300-00. 19" Flat 5WR Touch & Haswell-ULT Core™ i5-4300U Panel PC with 1 x PCIe x 1 expansion slot
AL6-3179	(R).ATO.PEDA-S2130-4300-00. 21.5" Flat 5WR Touch & Haswell-ULT Core™ i5-4300U Panel PC with 1 x PCIe x 1 expansion slot

Product Features

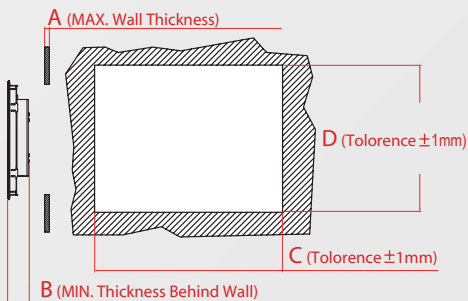


Quick Selection Guide

PEDA 12.1" / 15" / 17" / 19" / 21.5"

Model Name	PEDA-S1230	PEDA-S1530	PEDA-S1730	PEDA-S1930	PEDA-S2130
Display					
LCD Size	12.1"	15"	17"	19"	21.5" (16:9)
Resolution	XGA 1024x768	XGA 1024x768	SXGA1280x1024	SXGA 1280x1024	FHD 1920x1080
Brightness	500 cd/m ²	450 cd/m ²	350 cd/m ²	350 cd/m ²	250 cd/m ²
Contrast Ratio	700:1	700:1	1000:1	1000:1	5000:1
Backlight	LED type	LED type	LED type	LED type	LED type
Touch Screen	True Flat 5-Wire Resistive Single Touch (Projective Capacitive Multi-Touch by Project)				
System					
SoC	Intel® Celeron™ 2980U(1.60GHz) & Intel® Core™ i5-4300U (1.90GHz)				
Memory	2 x DDR3L 1333/1600 SO-DIMM up to 16GB				
BIOS	AMI				
Graphics	Intel® HD Graphics 4400				
LVDS	Single/ Dual Channel 24-bit				
LAN Chipset	Intel® WG1210AT Gigabit Ethernet & Intel® WG1218LM Gigabit Ethernet (Support iAMT)				
Audio	Realtek® High Definition Audio Codec				
Watchdog Timer	Programmable 1 ~ 255 sec				
Storage Device	1 x 2.5" SATA HDD/ SSD, 1 x Half-size mSATA device, 1 x CEFX up to 128GB				
OS	Windows 7/ Windows 8.1 / Windows 10 / Linux™				
I/O Interface					
Series Port	1 x RS-232/422/485, 3 x RS-232				
Display	1 x HDMI, 1 x Display Port				
USB	2 x USB 2.0, 2 x USB 3.0				
Ethernet	2 x Gigabit Ethernet				
Others	2 x SMA Antenna hole for WiFi/3G Solution				
Expansion	1 x Half-size PCIe x4 (x1 signal) expansion slot, 1 x Full-size Mini-PCIe socket, 1 x Half-size Mini-PCIe socket with mSATA support				
Mechanical					
Dimension(mm)(WxDxH)	307 x 253 x 118 mm	368 x 312 x 118 mm	387 x 340 x 118 mm	433 x 373 x 122 mm	529 x 338 x 122 mm
Mounting (mm)	VESA Mount 75 x 75, 100 x 100; Panel Mount				
Weight (Kg)(N)	5 Kg	8 Kg	10 Kg	12 Kg	15 Kg
Weight (Kg)(G)	8 Kg	11.4 Kg	12.5 Kg	15 Kg	18 Kg
Power					
Power Supply	DC 12V ~ 24V input by 1x lockable DC jack & 1x 3-pin terminal block connector				
Power Consumption (Working without PCIe card)	32.4W (Max); Idle: 22W; Sleep: 3.5W	53W (Max); Idle: 32W; Sleep: 2W	50.2W (Max); Idle: 38W; Sleep: 3.5W	48.4W (Max); Idle: 38.5W; Sleep: 3.5W	48W (Max); Idle: 37W; Sleep: 3.4W
Environmental					
OP /Storage Temp	0°C ~ 50°C / -20°C ~ 60°C (20 ~ 90%, non-condensing)				
Vibration	1.0G (CFEX/SSD) and 0.5G (HDD) , Power on & 2.16G, Packaged; 5~500Hz, IEC 60068-2-6				
Shock	15G peak acceleration, 11 ms (Power on condition), IEC 60068-2-27				
Drop	Package with Carton from 96.5 cm (1-Corner, 3-Axis, 6-Face), ISTA 2A Standard				
IP Protection	IP65 (Front) / IP20 (Rear), IEC 60529 Edition 2.1 Standard				
Certificate	CE/FCC Class A				

Cut out Dimension



PEDA

	A (mm)	B (mm)	C (mm)	D (mm)	Mounting Kits (pcs)
PEDA-S1230	<10	118	310	256	x10
PEDA-S1530	<8.5	118	354	298	x10
PEDA-S1730	<8.5	118	390	343	x18
PEDA-S1930	<8.5	122	447	407	x18
PEDA-S2130	<8.5	122	533	342	x18