

High Performance, High Density Server Platform



Transport GT24

B2891 with AMD Opteron™

▼ Front View (B2891G24U4H / B2891G24S4H)



▼ Front View (B2891G24S4-LC)



▼ Back View



Key Feature



Dual-core AMD Opteron™ and PCI-X / PCI-E Support

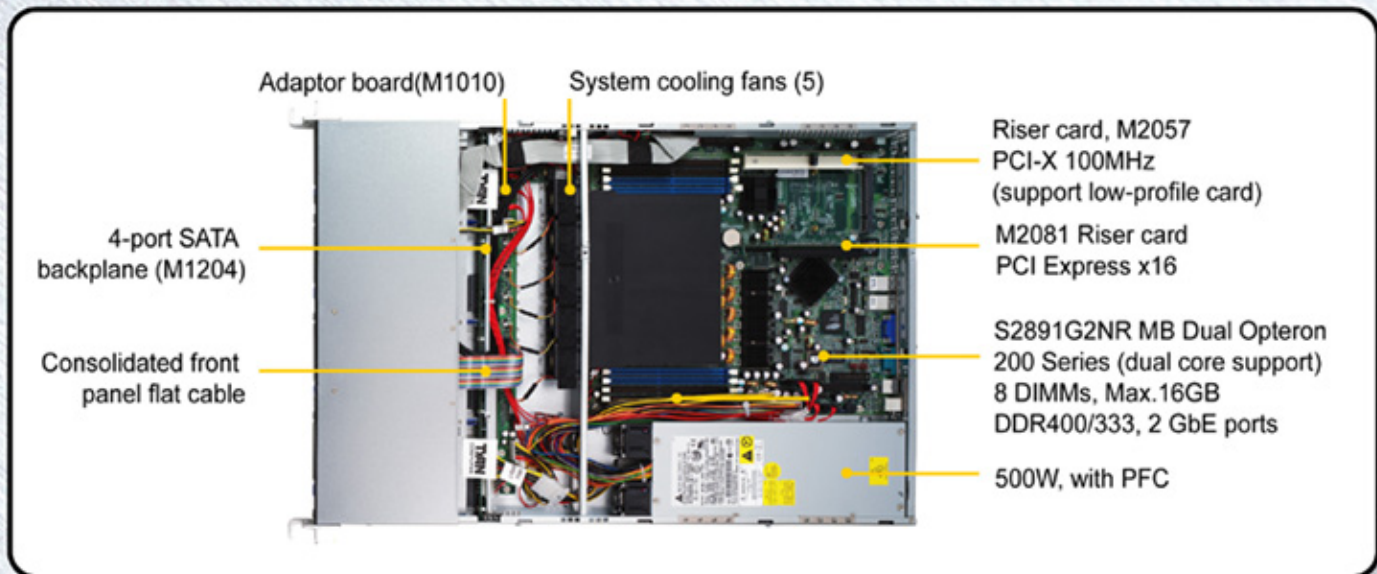
- Support AMD Opteron™ 200 series (dual-core ready)
- Eight (8) DIMMS, supporting up to 16GB DDR400/333 memory
- Integrated two (2) gigabit Ethernet LANs
- PCI-Express and PCI-X expansion slots support
- Automatic fan speed control function
- Screw-less design for better serviceability
- 1U rack-mountable form factor, 25.4" in depth, 500W power supply
- Models:

Model Number	HDD bay (No. of HDD)	Storage Backplane	System Board
B2891G24U4H	Hot-swappable(4)	4-port SCSI	S2891G2NR
B2891G24S4H	Hot-swappable(4)	4-port SATA	S2891G2NR
B2891G24S4-LC	fixed(4)	NA	S2891G2NR

Transport GT24

B2891 with AMD Opteron™

▼ B2891G24S4H TOP View



S P E C I F I C A T I O N S

Enclosure

- Industry 19" rack-mountable 1U chassis
- Storage bay
 - (4) 3.5" HDD bays
 - (1) slim line CD-ROM bay
 - (1) slim line FDD bay
- Dimension: D 25.4 x W 17.17 x H 1.71 inch (645x436x43.6mm)

Processors

- Supports one or two AMD Opteron™ 200 series processors

Chipset

- NVIDIA nForce4 Professional + AMD-8131 HyperTransport PCI-X Tunnel
- Winbond W83627HF Super I/O chip
- ADT7463 Hardware monitor IC

Memory

- Eight 184-pin 2.5-Volt DDR DIMM sockets
- Supports up to 16GB of Registered, ECC DDR400/333 memory
- Support 'Chipkill' technology

Expansion Slots

- One PCI-E x16 slot, supporting full-height/half-length card.
- One 64-bit 100MHz (3.3V) PCI-X slot, supporting low profile card (For S4H, S4-LC SKU only)

Back I/O Ports

- One Keyboard & One PS/2 Mouse ports
- Two RJ45 10/100/1000 Base-T port w/ activity LED
- Two USB 2.0 ports
- One 9-pin UART Serial port
- One 15-pin VGA port

Front Panel Features

- I/O
 - (2) USB 2.0 ports
- LED indicators
 - Power LED
 - (2) LAN LEDs
 - HDD Active LED
- Switch
 - Power
 - Reset

Networking

- (2) Gigabit Ethernet ports (Broadcom® BCM5704 dual port controller) connected to 133MHz PCI-X bus

Video

- ATI® Rage™ XL PCI graphics controller
- 8MB Frame Buffer of video memory

Integrated Storage Controller

- Model B2891G24U4H:
 - Add-on Tyan M7901 SCSI controller card (Adaptec AIC 7901 single channel Ultra320 SCSI controller), connected to TYAN TARO SO-DIMM
 - Supporting HostRAID 0, 1 & 10
- Model B2891G24S4H, B2891G24S4-LC:
 - Two dual-port SATA II controllers integrated in NVIDIA nForce4 Pro chip.
 - Supporting 3Gb/s per port
 - Support RAID 0, 1, 0+1

Storage

- B2891G24U4H: Supports up to 4 hot-swappable Ultra320/160 SCSI HDDs
- B2891G24S4H: Supports up to 4 hot-swappable SATA-I/SATA-II HDDs
- B2891G24S4-LC: Supports up to 4 internal IDE/SATA-I HDDs.

- Pre-installed slim CD-ROM drive (optional item for model B2891G24S4-LC)

Motherboard

- TYAN Thunder K8SRE S2891G2NR
- E-ATX footprint (13" x 12")

BIOS

- Phoenix 4Mbit LPC Flash ROM
- LAN remote boot (PXE) support, USB device boot
- SMBIOS 2.3.1, BBS 1.1 compliant
- ACPI 2.0 power management support

Server Management

- Automatic fan speed control
- Chassis intrusion alert
- Support Tyan Server Management(TSM)
- TYAN SMDC, IMPI v1.5 compliant remote server management kit (Option)

Power Supply

- EPS 12V, 1U, 500W with PFC
- 100V~240V AC input

Regulatory

- FCC Class B (Declaration of Conformity)
- CE (Declaration of Conformity)
- UL Safety Certificate

Environment Temperature

- Operating temperature 5 °C ~ 35°C
- Non-operating temperature -40 °C ~ 70 °C

TYAN COMPUTER CORP.

Tyan Computer USA
Tel: +1-510-651-8868
Fax: +1-510-651-7688

Tyan Computer Taiwan
Tel: +886-2-8751-2200
Fax: +886-2-8797-2767

Tyan Computer Germany
Tel: +49-8136-9395-30
Fax: +49-8136-9395-44

Tyan Computer UK
Tel: +44-1256-397030
Fax: +44-7836-6800-23

Tyan Computer China
Tel: +86-10-6255-5015
Fax: +86-10-8261-8204

Tyan Computer Japan
Tel: +81-3-3837-7580
Fax: +81-3-3837-7581