

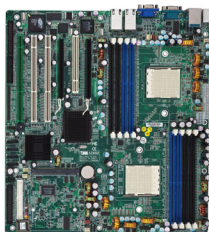
Server Solutions

Thunder K8SE S2892



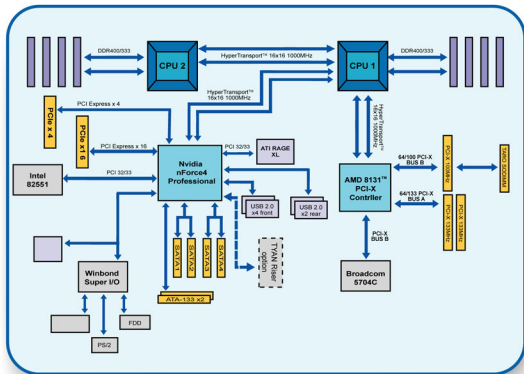
Dual AMD Opteron PCI Express Server/ WS

- Dual AMD Opteron™ 200 Series Processor with Dual Core support
- (2) x16 PCI Express slots, one with x4 signal
- (1) Tyan TARO SO-DIMM connector supports U320 SCSI card (optional) or SATA cards with RAID 0,1, 0+1 (Optional)
- Two Integrated dual port SATA II Controllers support up to 4 drives
- (2) GbE LAN ports using one Broadcom® 5704C



▲ TOP View

Block Diagram



S P E C I F I C A T I O N S

Processors

- Two PGA 940-pin ZIF sockets
- Supports one or two AMD Opteron™ Single-/Dual-Core processors
- Integrated 128-bit Dual-Ch DDR Memory Controller

Chipset

- AMD-8131, PCI-X Tunnel
- Nvidia nForce Professional 2200
- Winbond® W83627HF Super I/O
- Analog Devices ADT7463 Hardware Monitoring IC

Memory

- 128-bit dual channel memory bus
- Total Eight 184-pin 2.5-Volt DDR DIMM sockets(Four per CPU)
- Supports up to 16GB Registered DDR
- Supports ECC type memory modules
- Supports DDR400*, DDR333, DDR266, DDR200

Expansion Slots

- One x16 PCI Express expansion slot
- One x16 PCI Express slot with x4 signal
- One PCI2.3 compliant 5V tolerant 32bit/33MHz Slot
- Two independent 64-bit PCI-X buses
 - Two 133/100 MHz PCI-X slots from Bridge A
 - One 100/66 MHz PCI-X slot from Bridge B
 - One 100/66 MHz max Tyan TARO™ SODIMM from Bridge B

Integrated I/O

- one floppy connector supports up to two drives
- One parallel port header and two serial (one connector, one header)
- Four USB 2.0 ports (Two rear connector & two front panel headers)

- One 15-pin VGA connector
- PS/2 mouse and keyboard connectors

System Management

- Total nine 3-pin fan headers
- Six fan headers with monitoring
- One 2-pin Chassis Intrusion header
- Temperature, voltage and fan monitoring

Integrated Enhanced IDE Controller

- Two IDE dual-drive ports for up to four EIDE devices
- Supports for UDMA 133/100/66/33 IDE drives and ATAPI devices

Integrated Video Controller

- ATI® RAGE XL™ PCI controller w/ 8MB memory

Integrated SATAII Controllers (from nForce Professional 2200)

- Two Integrated dual port SATA II Controllers
- Four SATA connectors support up to four drives
- 3 Gb/s per direction per channel
- NvRAID v2.0 Support
- RAID 0, 1, 0+1

Integrated LAN Controller

- One Broadcom® BCM5704C Dual-Ch GBE
- Two RJ-45 LAN connectors with LEDs
 - Connected to PCI-X Bridge B
 - Two front panel LED headers
- One Intel® 82551QM 10/100 Mbps Ethernet controller
 - One RJ-45 LAN connectors with LEDs, stacked on rear two USB2.0 ports.
 - Connected to 32bit/33MHz PCI2.3 bus
 - One front panel LED headers

BIOS

- Phoenix BIOS on 8Mbit LPC Flash ROM
- ACPI 2.0 and SRAT support

- PXE via Ethernet, USB device boot
- SMBIOS 2.3.1, BIOS 1.1 compliant
- Headless Operation via serial console redirect
- 48-bit LBA Support

Intelligent Platform Management Interface Header

- Tyan Server Management Daughter card (Optional) supports features listed below via IPMI header
- QLogic™ Zircon Baseboard Management Controller(BMC) based on powerful ARM7 technology
- Tailored for IPMI highest 1.5 Spec.
- Supports KCS and BT styles
- Flexible Windows or Linux Management Solution
- Supports RMCP and SNMP protocols
- Supports ASF standard and EMP
- PC serial multi-master controllers and UARTs
- Built-in IPMB connector
- Remote power on/off and reset support (IPMI-over-LAN)

Form Factor

- SSI EEB v3.0 Footprint (12"x13"; 304.8mm x330.2mm) fits most Rackmount E-ATX chassis
- EPS12V/SSI (24 + 8pin) power connectors
- Serial (one) and VGA (one) connectors
- Stacked USB 2.0 (two) connectors
- Stacked PS/2 keyboard and mouse connectors
- Two RJ-45 LAN connector with LEDs

Regulatory

- FCC Class B (DoC)
- European Community CE (DoC)

TYAN COMPUTER CORP.

Tyan Computer USA
Tel: +1-510-651-8868
Fax: +1-510-651-7688

Tyan Computer Taiwan
Tel: +886-2-8751-2200
Fax: +886-2-8797-2767

Tyan Computer Germany
Tel: +49-8136-9395-30
Fax: +49-8136-9395-44

Tyan Computer UK
Tel: +44-1256-397030
Fax: +44-7836-6800-23

Tyan Computer China
Tel: +86-10-6255-5015
Fax: +86-10-8261-8204

Tyan Computer Japan
Tel: +81-3-3837-7580
Fax: +81-3-3837-7581