

Intel Cranberry Lake SER/WS Platform



Tempest i5100X
S5375AG2NR



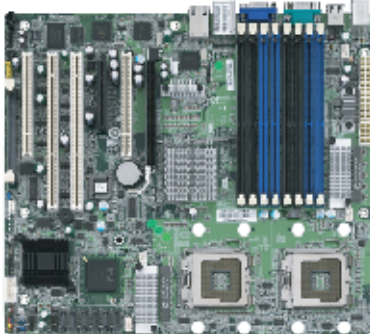
Dual Xeon Server/Workstation

- Dual LGA771 sockets
Support 5100/5200/5400 series CPUs
- Intel® 5100 + ICH9R
Support 1066/1333 MHz FSB
- (8) DDRII 240-pin DIMM slot
Supporting up to 32G DDR2 533/667 memory
- (2) PCI-X 64 bit/133Mhz slots
(2) PCI -E slots (x16 + x8 link)
(2) PCI slots
- (2) GbE Lan support (Intel® 82573)
- (6) SATA2 port support RAID 0/1/10/5 (Window OS only)
- Realtek ALC262 codec
- SMDC M3295-2 & M3296 for iKVM
- CEB

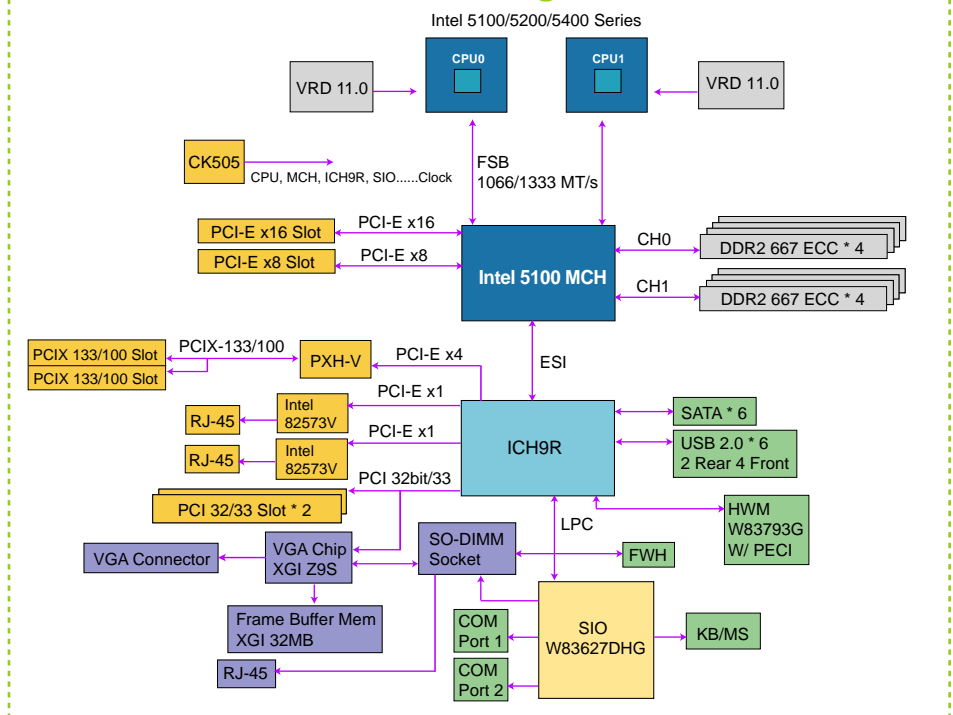
Tempest i5100X

S5375AG2NR

TOP View



Block Diagram



S P E C I F I C A T I O N S

Processors

- . Dual LGA771 sockets
- . Supports up to two Intel® 5100/5200/5400 processors
- . 1.33 / 1.06GHz FSB
- . VRD 11.0

Chipset

- . Intel® 5100 (San Clemente) MCH
- . ICH9R South Bridge
- . PXH-V 64-bit PCI Hub
- . Winbond 83627DHG Super I/O chip

Memory

- . Eight (8) 240-pin DDR2 DIMM sockets
- . Supports Registered ECC DIMMs
- . Maximum of 32GB DDR2-533/667

Expansion Slots

- . One, PCIe x 16 slots w/ x 16 signals
- . One, PCIe x 8 slots w/ x8 signals
- . Two, PCI-X 1.0 64/133 slots
- . Two, 32/33 PCI 2.2 slots (PCI device component height limit = 9.2mm)
- . Total Six expansion slots

System Management

- . Winbond W83793G Hardware Monitor ASIC
- . CPU thermal & voltage monitor support
- . 2-pin chassis intrusion header
- . 4-pin fan monitoring headers
- . Two, 4-pin CPU fan headers with tachometer monitoring and smart FAN control
- . Three, 4-pin system fan headers with tachometer monitoring, and support smart FAN control

Integrated I/O Interface

- . Six (6) SATA (3Gb/s) ports
- . Six (6) USB 2.0 ports (Two at rear, and four via headers)
- . Two(2) COM ports(1 at rear, 1 via cable)
- . Tyan 2 x 9 front-panel pin header
- . Tyan 2 x 6 front-panel pin header for LAN LED and ID LED/Switch
- . 2 x 7 pin Fan header
- . One(1) SODIMM connector for Tyan option SMDC M3295-2/M3296

Back Panel I/O ports

- . Stacked PS/2 Mouse & Keyboard ports
- . Stacked USB 2.0 two ports
- . One 9-pin COM port
- . One 15-pin VGA port
- . Two(2) RJ45 10/100/1000 port with activity LED
- . One(1) RJ45 10/100 port with activity LED

Integrated Video Controller

- . XGI Z9S
- . 32 MB DDR2 frame buffer memory

Integrated SATA Controllers (ICH9R)

- . Supports Six(6) SATA2 ports running at 3.0Gb/s
- . RAID 0/1/5/10 capable (Window OS only)

Integrated Audio

- . HD Audio (High-Definition Audio) supported
- . Realtek ALC262 (High-Definition Audio) controller
- . Front panel audio header (2 x 5 pin)
- . CD-in, Aux headers (4-pin configuration)

Integrated LAN Controllers

- . Two 82573 (via PCIe x1 signal)

Optional modules

- . Optional Tyan M3295-2/M3296 SMDC support

BIOS

- . AMI on 8Mbit Flash ROM
- . Serial Console Redirect
- . PXE via Ethernet, USB device boot
- . PnP, DMI 2.0, WfM 2.0 Power Management
- . User-configurable H/W monitoring
- . Auto-configuration of hard disk types
- . Multiple boot options
- . 48-bit LBA support

Form Factor

- . CEB footprint (10.5" x 12")

Power Supply

- . ATX12V
- . Universal 24-pin + 8-pin power connectors

Regulatory

- . FCC Class B (DoC)
- . European Community CE (DoC)
- . BSMI (Option)

MITAC INTERNATIONAL CORP.
TYAN® Business Unit

USA
Tel: +1-510-651-8868
Fax: +1-510-651-7688

Taiwan
Tel: +886-2-8751-2200
Fax: +886-2-8797-2767

Germany
Tel: +49-89-318598000
Fax: +49-89-31609236

UK
Tel: +44 (0) 870-027-2881

Netherlands
Tel: +31-10-2467722
Fax: +31-10-4735881

China
Tel: +86-010-62555015

Japan
Tel: +81-3-3837-7580
Fax: +81-3-3837-7581